

Installation Instructions for Slimbox Single Fiber Indoor Enclosure

10/19/2018

This document describes the Assembly Instructions for the single fiber transition

1. Products

The equipment is used as a termination point for the feeder cable to connect with the drop cable in a FTTx network. The fiber splicing, splitting, distribution can be done in the enclosure and provides a solid protection and management for the FTTx network.

Features:

- Total enclosed structure.
- Material: PC+ABS, water resistant, dust-proof, IP55
- Clamping for feeder cable and drop cable, fiber splicing, storage, and distribution.
- Cable, pigtails, patch cords individual pathways without disturbing adjacent fibers
- Easy Access to feeder cable by raising the distribution panel
- Suitable for both Outdoor and Indoor use

2. Specifications

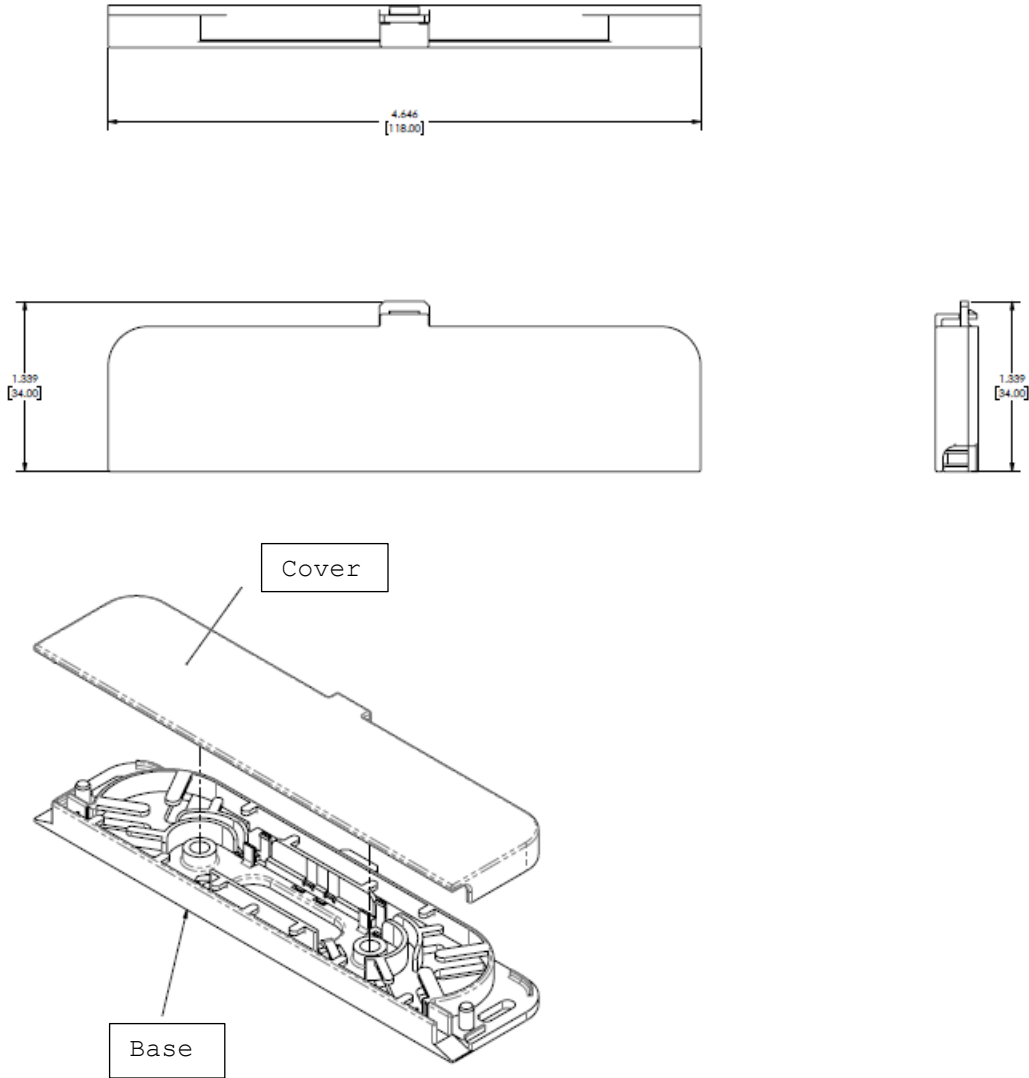
- Environmental Requirement

Working Temperature	-40° C to + 60° C
Relative Humidity	≤ 85% (+30°C)
Atmospheric Pressure	70 Kpa ~ 106 Kpa

- Electrical Requirement

- The grounding device is isolated with the cabinet, isolation resistance is less than **1000MΩ/500V** (DC); $IR \geq 1000M\Omega/500V$
- The withstand voltage between grounding device and cabinet is not less than 3000V (DC)/minute, no puncture and no flashover; $U \geq 3000V$

3. Product Dimensions

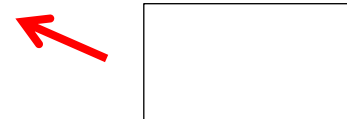


4. Enclosure Installation and drop cable attachment

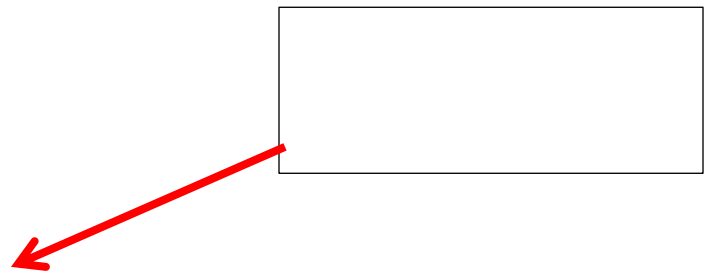
1. Start by opening the accessories package and find the mounting screws included in the product packaging. Mount the enclosure to the wall with the two screws.



2. Attach the Indoor/Outdoor cable to the wall with Staples entering the right hand port and route a loop of fiber around the fiber management posts. Adhere the InvisiLight fiber to the wall with adhesive and enter the left hand port and route a loop of fiber around the fiber management posts leaving enough fiber to splice to the EZ Bend Indoor/Outdoor cable .



3. Complete the Single Fusion splice and place the splice in the splice holder. Wrap the fiber leads around the fiber management posts.



5. Ordering Information

301145769

SLIMBOX-H, INDOOR, SPLICE, 01 FIBER MODULE